

ABEC 7 bearing



Stainless steel



Silver inner wiring

EVO CA Premium

Top of the line high end tonearms

- **PREMIUM** High purity silver inner wiring
- **PREMIUM** Heavy stainless steel bearing block
- **PREMIUM** New massive inner tonearm bearing design of solid ring type
- **PREMIUM** Inverted Swiss ABEC 7 quality 4 stainless steel tips in cardanic ball bearings - highest selection
- **PREMIUM** High precision CNC machined
- **PREMIUM** Carbon-aluminium sandwich tube construction
- **PREMIUM** New TPE damped counterweight design
- Outside ring is open to prevent bell-mode resonances
- Shiny aluminium parts polished by hand
- Accurate azimuth and VTA adjustment
- Silicone-damped arm lift can be adjusted to suit arm height
- Available as CA Black & CA HG version in 9, 10 and 12 inch
- Made in Europe

EVO CA Premium Black:

9"	1.399€ MSRP (incl. VAT)
10"	1.450€ MSRP (incl. VAT)
12"	1.499€ MSRP (incl. VAT)

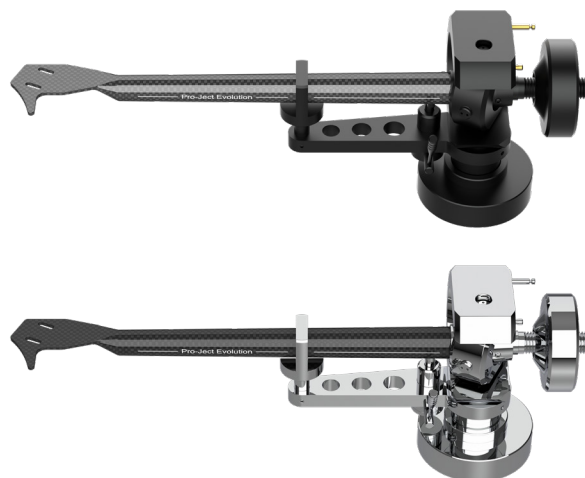
EVO CA Premium HG:

9"	1.899€ MSRP (incl. VAT)
10"	1.950€ MSRP (incl. VAT)
12"	1.990€ MSRP (incl. VAT)

EVO Tonearms

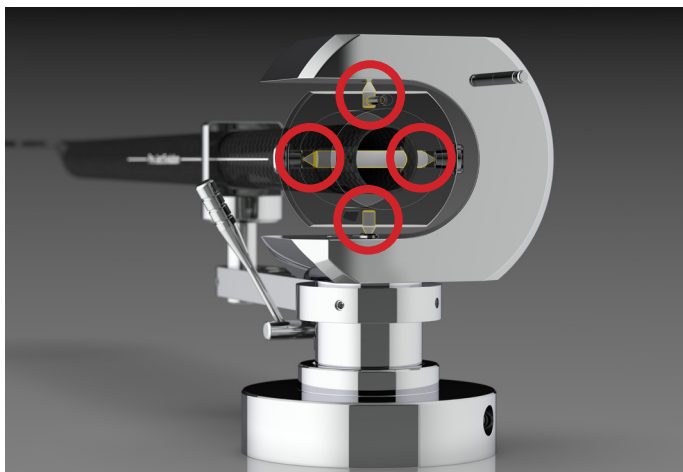
The tonearm is one of the most important parts of a turntable and therefore not only influences, but also shapes the sound in a specific way. We did in-depth listening tests with different bearing types, tonearm materials and also cartridge combinations to develop the sound we are looking for.

About 15 years ago, we released the Evolution tonearm range. These tonearms were a huge success and with this experience we were able to further develop our tonearm design. This new EVO Premium tonearm range is the result of our work from the last years, and we are proud to also offer new finishes and many additional improvements.



10 Insights from our Research

- 01. Resonance damping**
Damped counterweights and super high mass bearing gimbals.
- 02. Conical tubes**
Conical tonearm tube design guarantees that resonances are traveling to the bearing block and also reduce the moving mass of the tonearm/headshell.
- 03. Single-piece tubes**
Single-piece tonearm tubes increase the stiffness & increase the sound transparency.
- 04. Cartridge matching**
Correct tonearm and cartridge matching and the resulting resonance is exceptionally critical for a clean tracking and accurate, controlled bass reproduction.
- 05. Materials**
For low compliance cartridges, you need tonearms with high effective mass, or in other words, tonearms made of aluminum alloys as opposed to carbon.
- 06. High-purity conductors**
High-purity conductors have a significant positive influence on low level cartridge signals, so we use the highest purity copper (Standard EVO) or a pure silver wiring (Premium).
- 07. High mass**
High mass flange design is crucial to fix the tonearm securely to the turntable.
- 08. Tonearm holder**
Massive tonearm holder reduces the overall resonances of the whole tonearm.
- 09. Counterweights**
An assortment of different counterweights is necessary to balance the cartridge correctly.
- 10. Highest precision**
A precision arm can only be made with the highest level of diamond knife machinery, allowing you to work with tolerances of 1/1000 mm.



High End Bearing

The new Premium EVO tonearm uses an inverted cardanic Swiss ABEC 7 quality bearing with 4 stainless steel tips. This bearing type is very stable and low friction, which guarantees a clear tracking. This results in a detailed and open sound stage. All the microinformation from the groove is preserved.

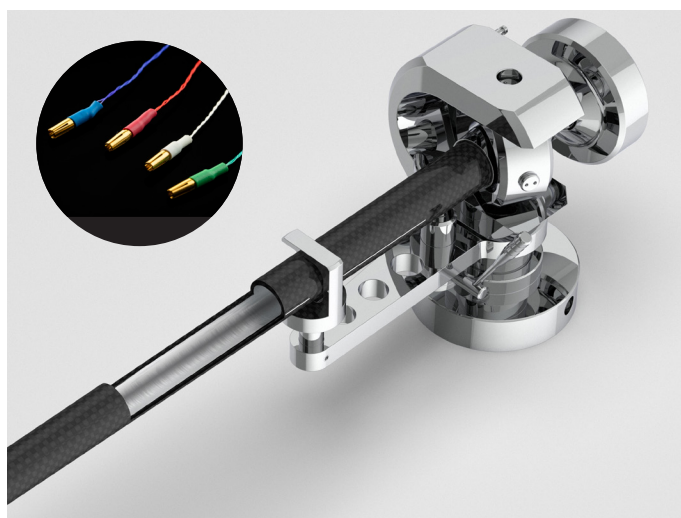
The bearing sits in a heavyweight stainless steel housing, which provides the needed stability. The massive outside ring is open to avoid resonances.

Due to the tonearm design, the bearing is maintenance-free and very easy to adjust.

Tonearm tube & inner wiring

For the EVO Premium CA tonearm tube, we go for a hybrid solution. The outer tube is machined out of one-piece carbon fiber, which is lightweight and strong at the same time. Inside the carbon tube is a not visible aluminium tube which helps to damp vibrations. We use the best characteristics of both materials. Not only the materials, also the shape is well-thought-out. If you look closely, you can see that the arm tube has a conical shape, which means it gets thinner. This design avoids standing wave reflections. The arm tube is fixed by a single screw to allow rotation for an easy azimuth adjustment.

The inner wiring is made of matched crystal silver to preserve every musical detail of the signal. Each lead is fitted with a gold-plated connector clip.



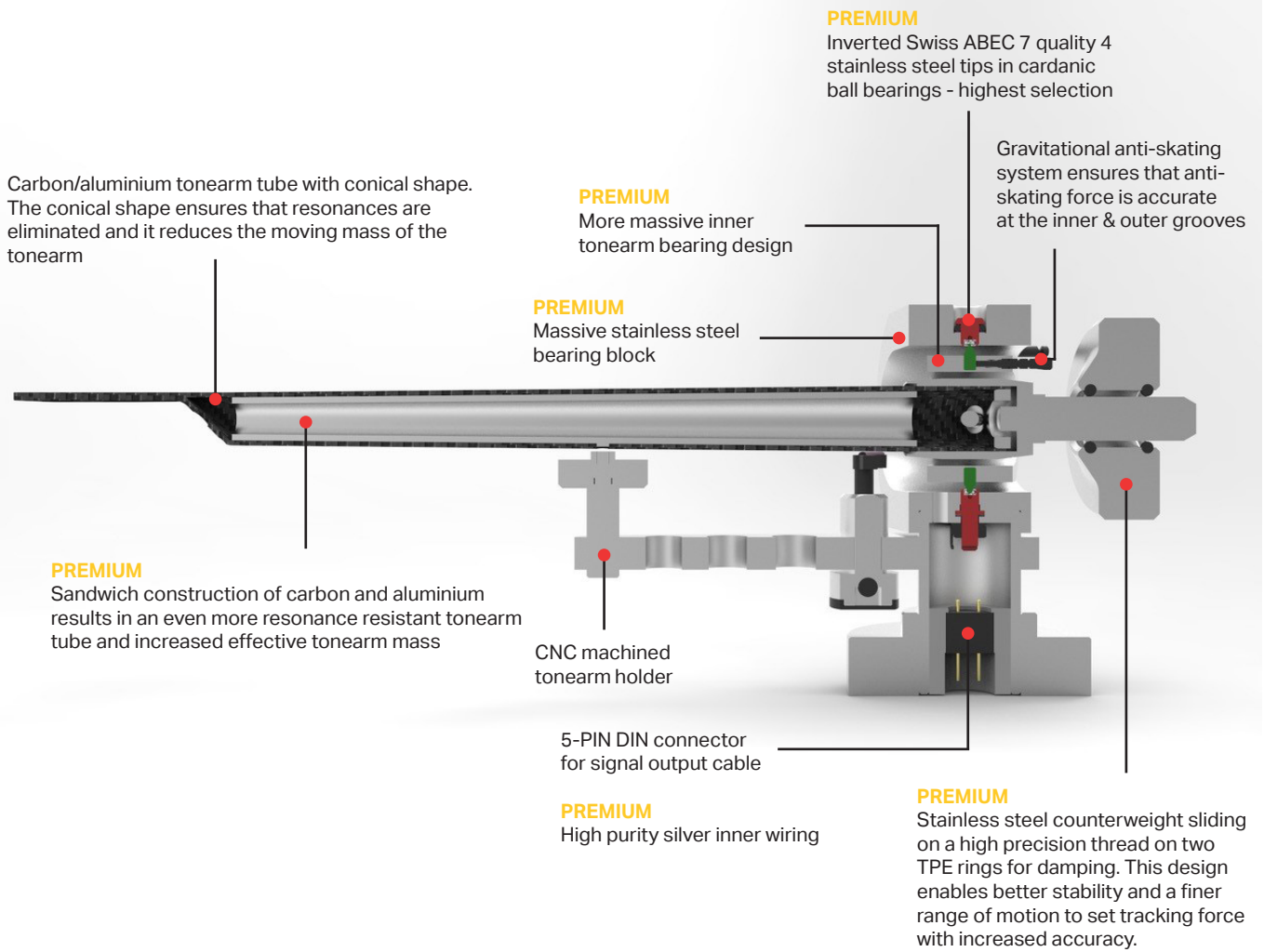
Tracking Force & VTA

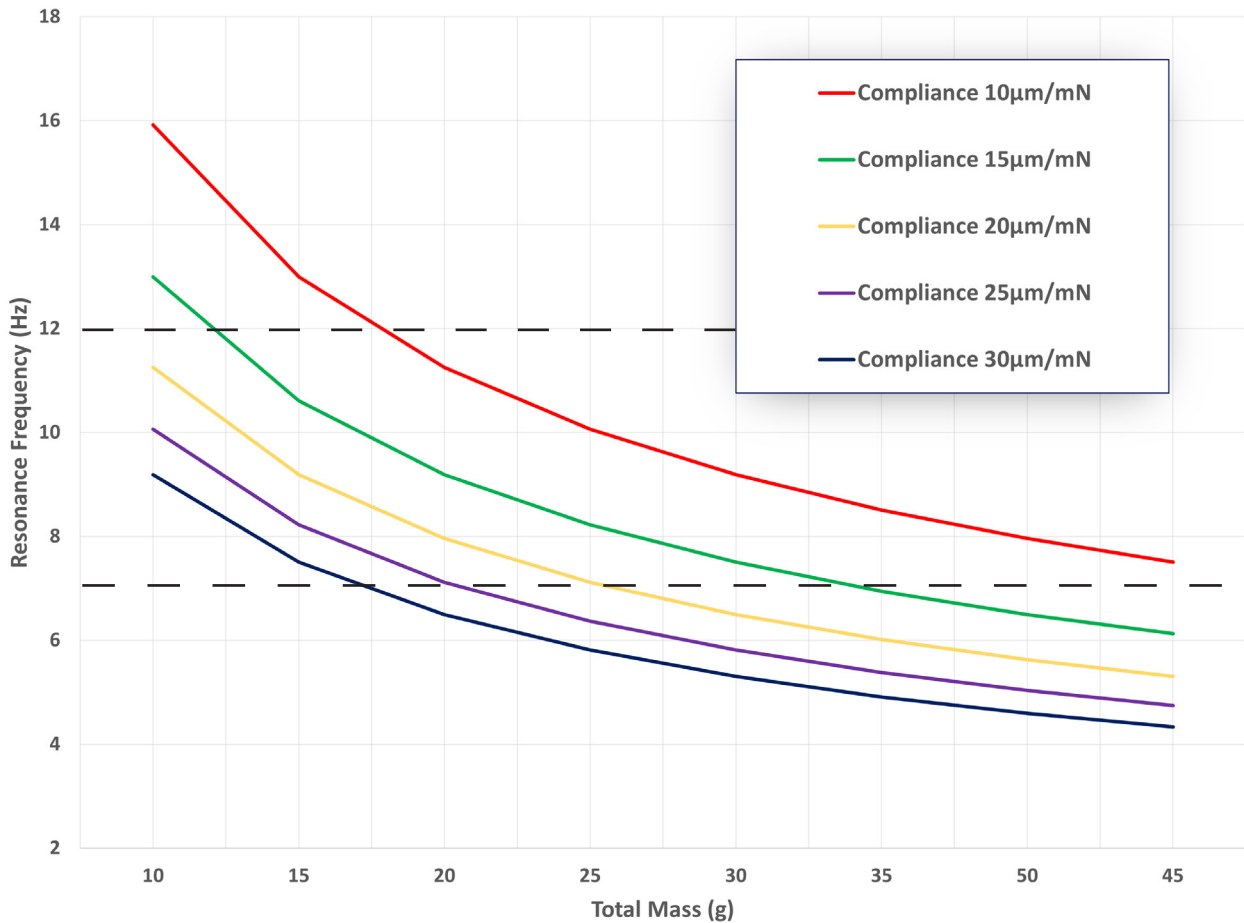
We supply two counterweights for each tonearm to give you the possibility to use a broad range of cartridges and set the tracking force as accurately as possible. After setting the tracking force, the counterweight should be as close to the bearing block as possible to ensure best stability and keep tonearm inertia as low as possible. Choose the counterweight that sits closer to the bearing block for your given tracking force.

You can find the cartridge weight range for each tonearm length on the last page. The counterweight itself is a new design which features TPE damping to counteract unwanted resonances.

The tonearm height can be continuously adjusted by loosening the two grub screws. It gives you the option of adapting the tonearm to height changes to always achieve the best sound quality. Setting and experimenting with the VTA & Azimuth is crucial in extracting every last bit of performance out of your cartridges.







Resonance frequency considerations

When selecting a cartridge for your turntable, the total effective mass of the tonearm (=effective mass of tonearm plus cartridge weight plus mounting hardware) has to be taken into account in relation to the mechanical compliance (elasticity) of the cartridge cantilever system.

This correct mechanical match between cartridge and tonearm is one of the most important factors for neutral sound. A mismatch can result in bad impulse behavior (less resolution of dynamics and micro-dynamics, narrow soundstage, bloated or thin bass). A resonance frequency within 7-12Hz is optimal for the system.

To give the customer the perfect arm for his cartridge, we now offer a very wide variety of tonearms with different effective masses.

EVO CA Tonearms

Suitable for 5 - 25 µm/mN

Recommended by Pro-Ject for:
medium compliance cartridges
-> 10 to 20 µm/mN

Our cartridge recommendations:

- Ortofon Cadenza Series
- Ortofon Quintet Series
- Sumiko Songbird
- Sumiko Blackbird
- Sumiko Rainier



	12"	10"	9"
Effective tonearm length	304,8 mm	254 mm	230 mm
Mounting distance	291,6 mm	238 mm	212 mm
Offset angle	18°	21,4°	24°
Overhang	13,2 mm	16 mm	18 mm
Pitch of mounting grooves in headshell	12,7 mm	12,7 mm	12,7 mm
Effective tonearm mass	20,4 g	16,6 g	15,5 g
Cartridge weight	7-20 g	5-18 g	7-18 g
The range of the tracking force	0 - 3 g	0 - 3 g	0 - 3 g
The minimal null point	125 mm	126,8 mm	130,6 mm
The maximal null point	251,7 mm	248,2 mm	243,7 mm
Tonearm weight (without flange)	520g	512g	506g